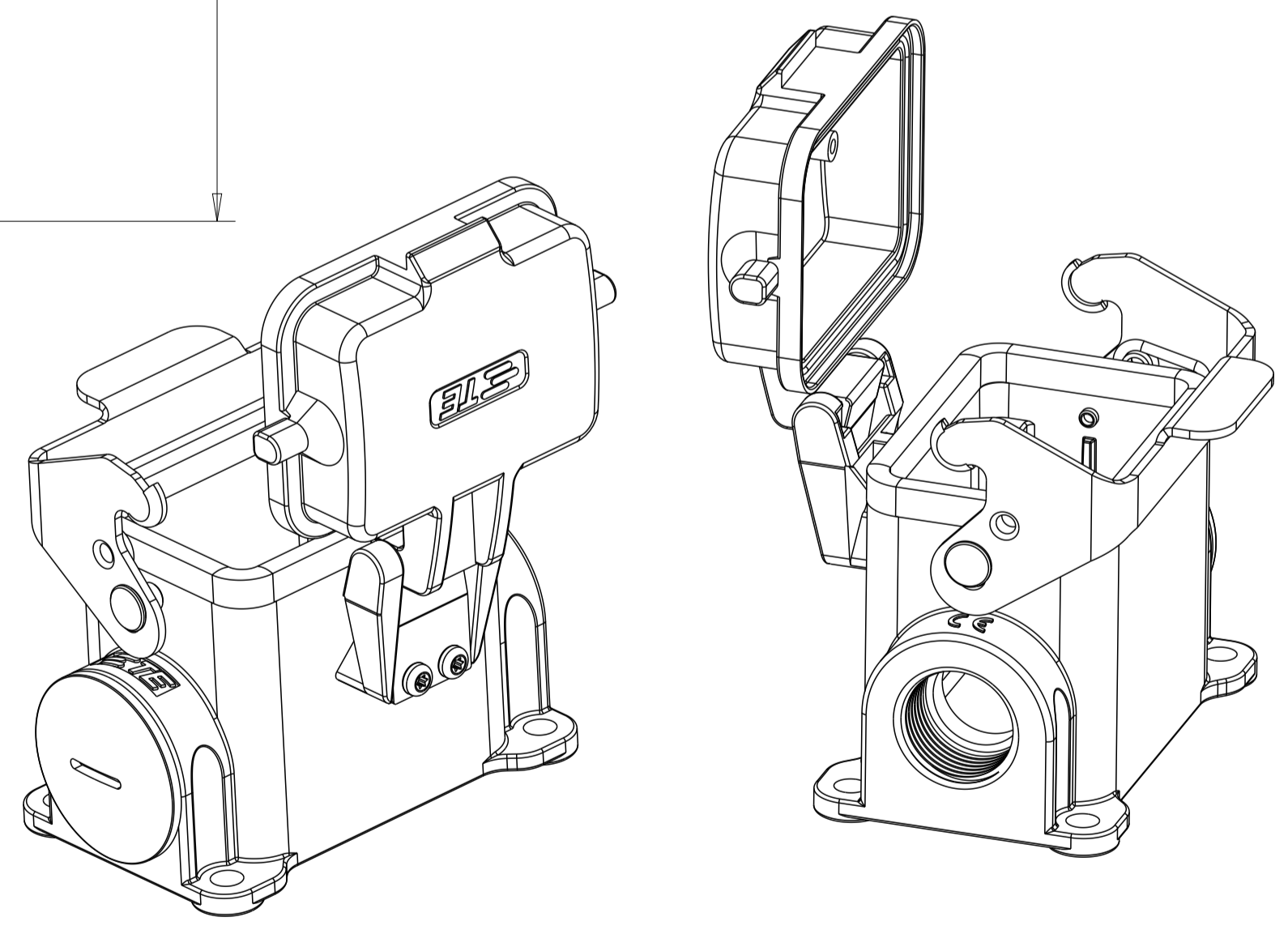
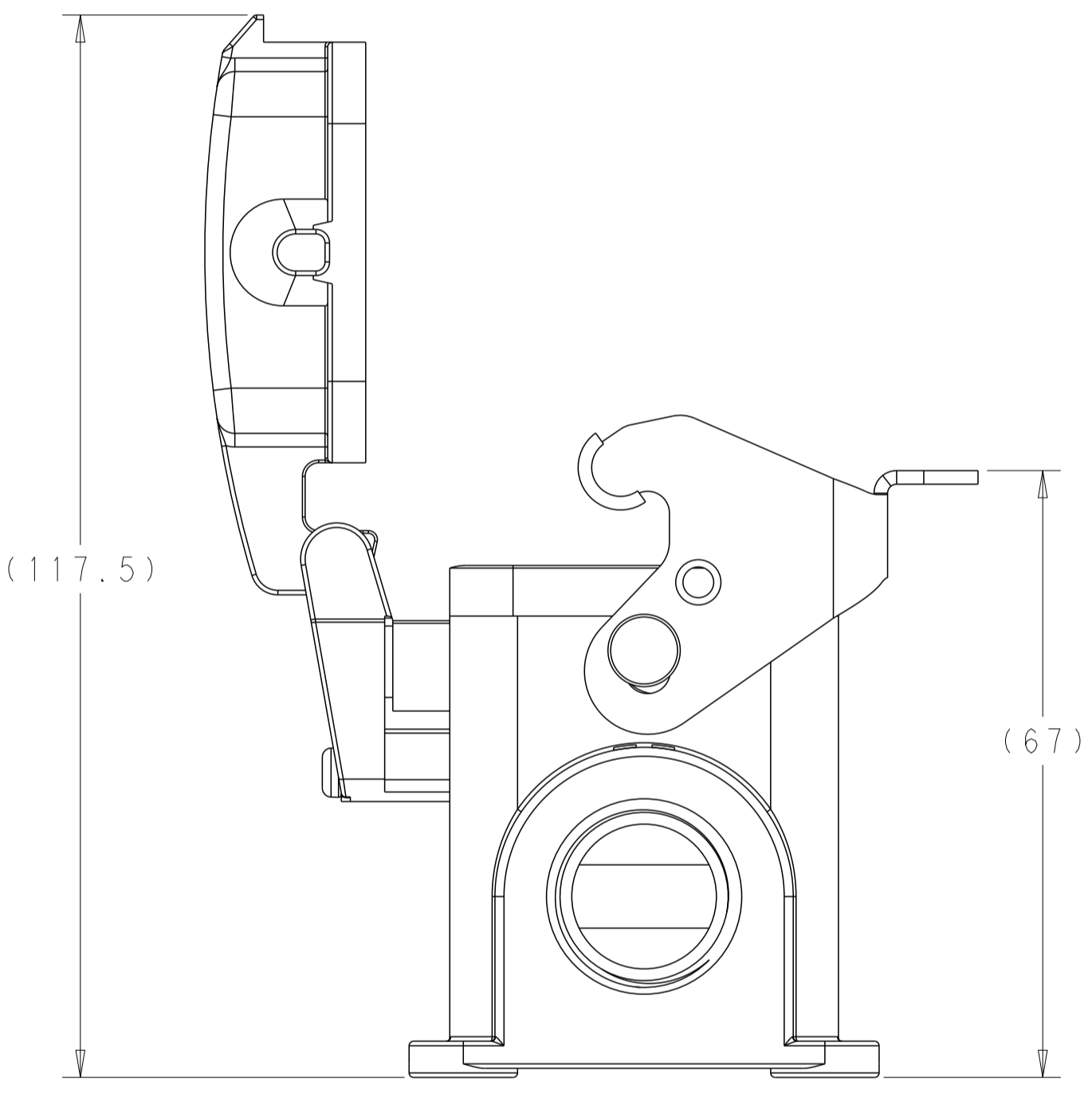
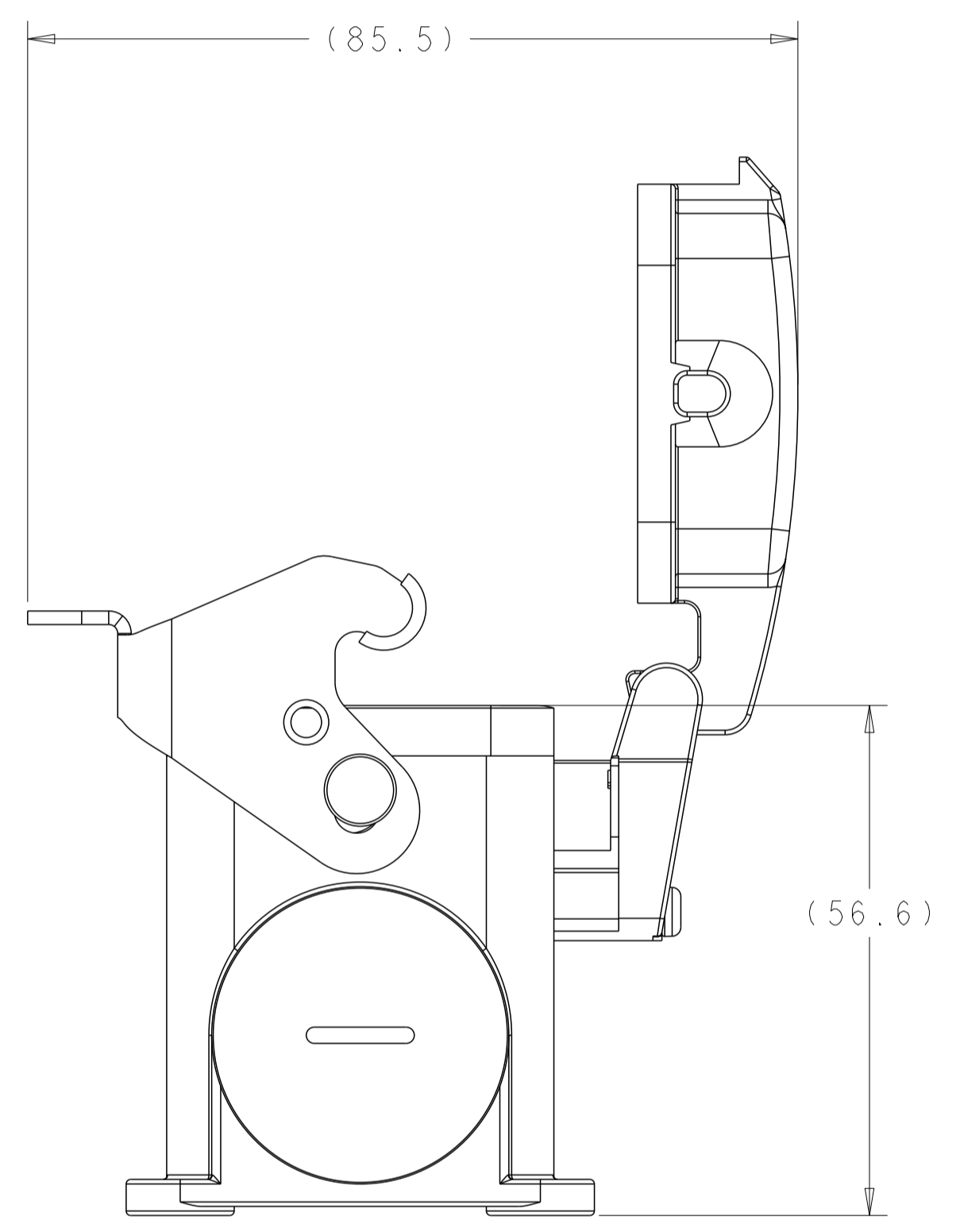
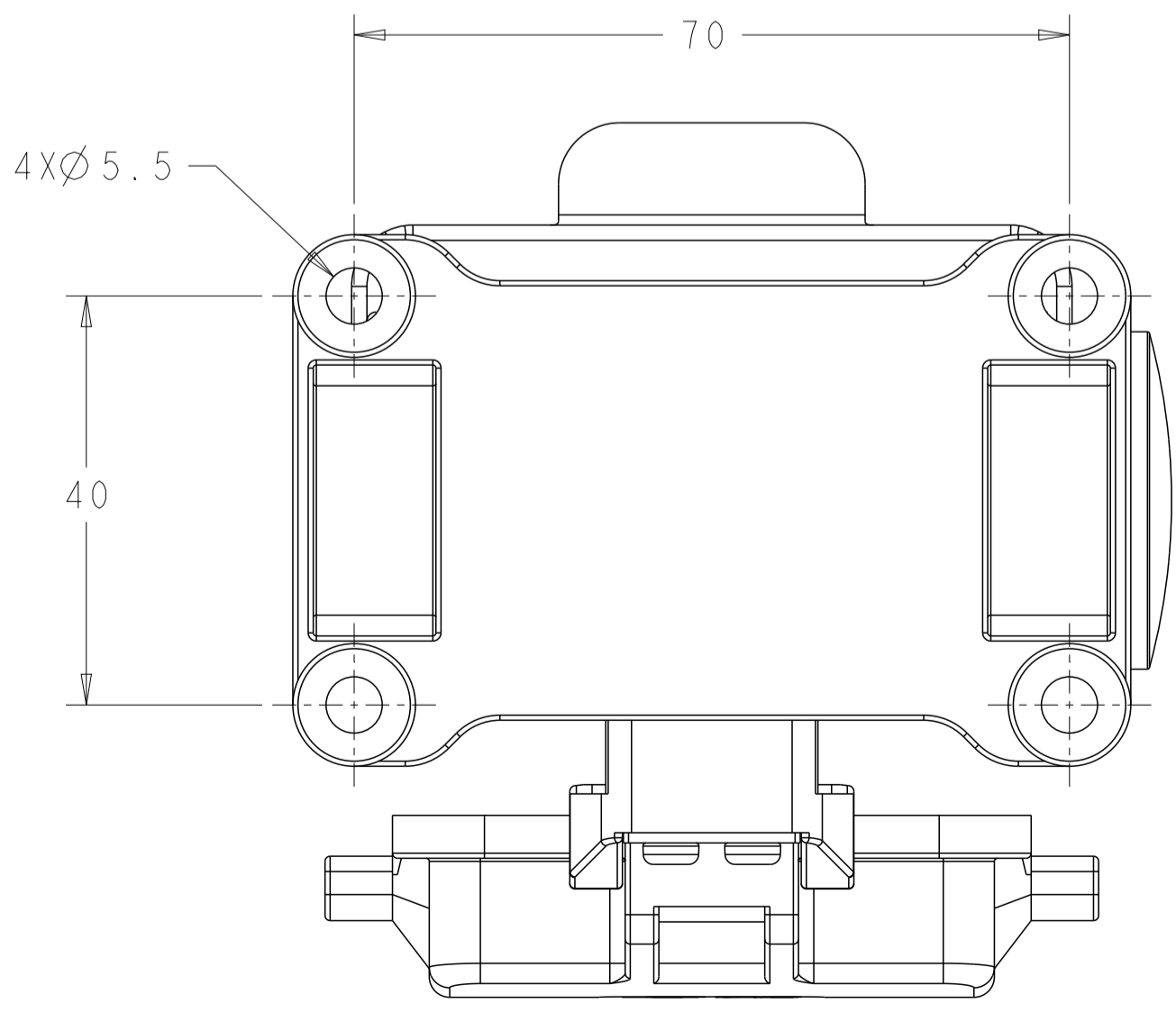
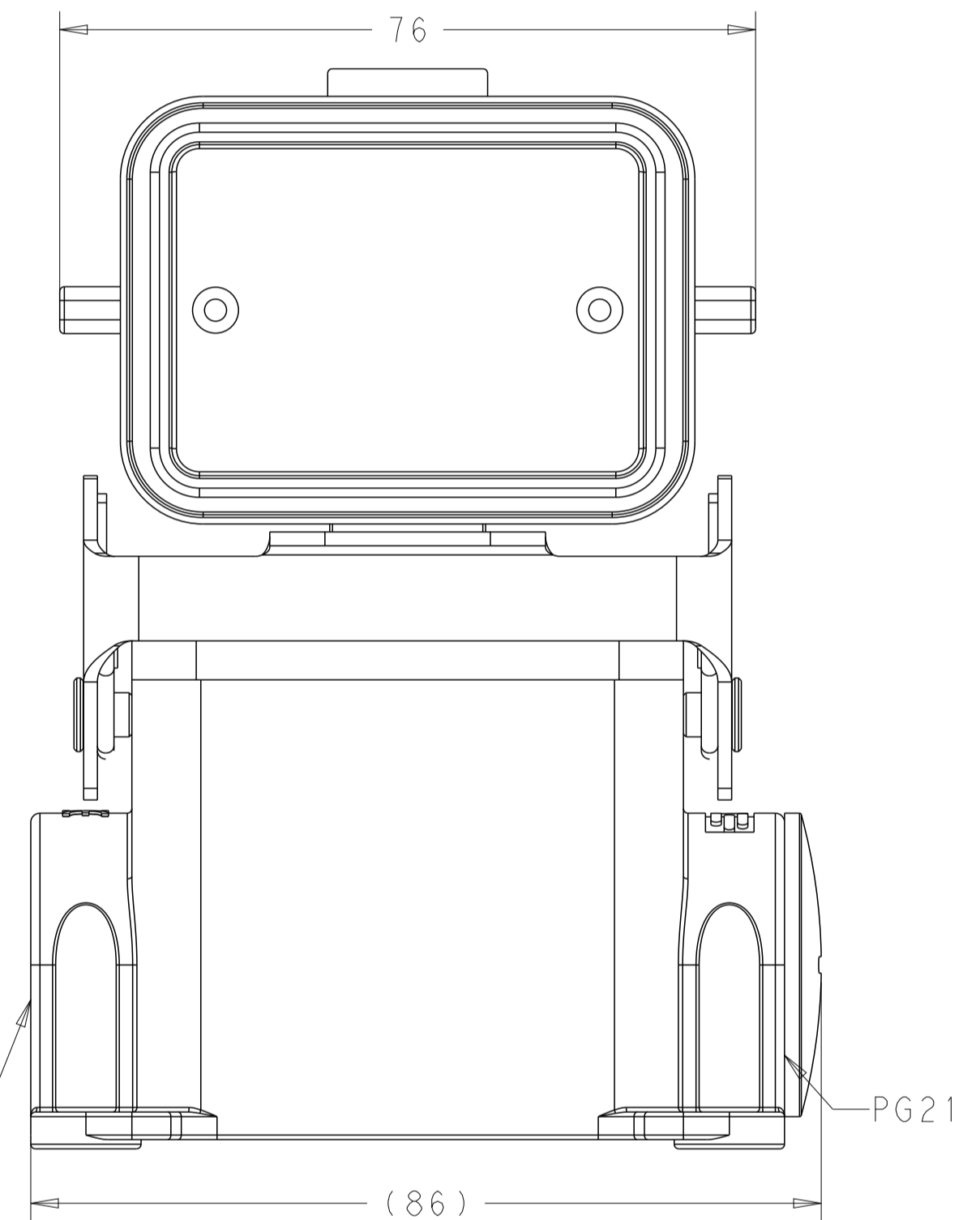
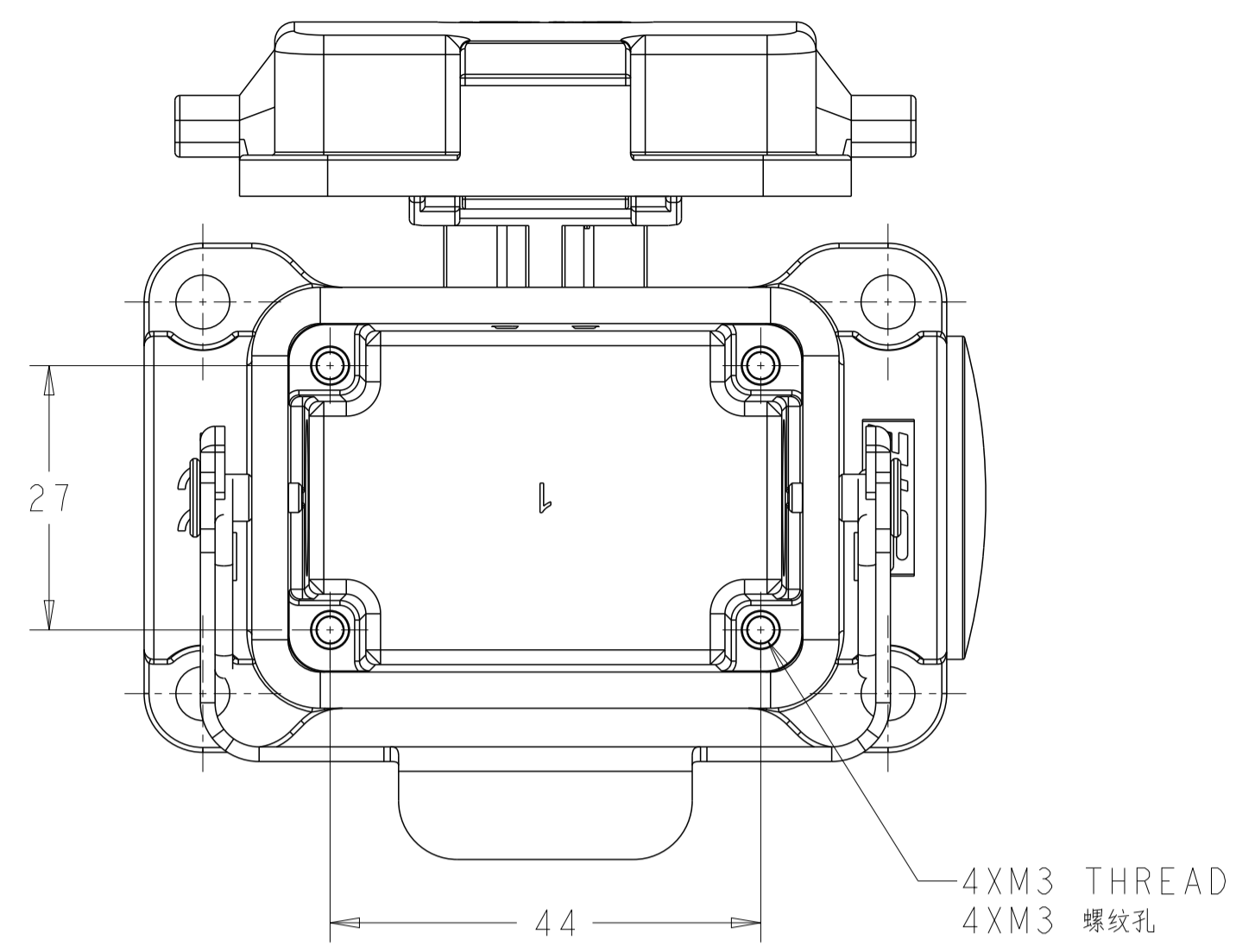


REVISIONS				
P	LTN	DESCRIPTION	DATE	APVD
A	INITIAL		25 JUL 2022	RW CW

NOTES:
 1. TECHNICAL CHARACTERISTICS:
 HOUSING MATERIAL: DIE CAST ALUMINIUM ALLOY
 SURFACE: POWDER COATED, GREY
 DEGREE OF PROTECTION: IP65 (MATED)

注释
 1. 技术参数
 下壳材料：铝合金
 表面处理：粉末涂层，灰色
 防护等级 IP65 (配合)



T1620063221-000	H6B-SDR-2PG21 WITH BLIND PLUG	H6B HOUSING, SURFACE MOUNTED, METAL SINGLE LOCKING, 2PG21, PLASTIC PROTECTION COVER AND BLIND PLUG, POWDER COATED, GREY H6B下壳, 表面安装, 彩钢罩加, 2PG21, 带塑料保护盖和堵头, 灰色粉末喷涂
PART NUMBER 料号	PART DESCRIPTION 描述	
THIS DRAWING IS A CONTROLLED DOCUMENT. DIMENSIONS: mm TOLERANCES UNLESS OTHERWISE SPECIFIED: 0 PLC ± 1 PLC ± 2 PLC ± 3 PLC ± 4 PLC ± ANGLES ± MATERIAL FINISH		DWN: RITA WANG 25 JUL 2022 CHK: GINO YAO 25 JUL 2022 APVD: CHRIS WANG 25 JUL 2022 NAME: H6B-SDR-2PG21 WITH BLIND PLUG PRODUCT SPEC: 108-137013 APPLICATION SPEC: 114-137013 WEIGHT: A 00779 C=T1620063221000 CUSTOMER DRAWING: SCALE 1:1 SHEET 1 OF 1 REV A