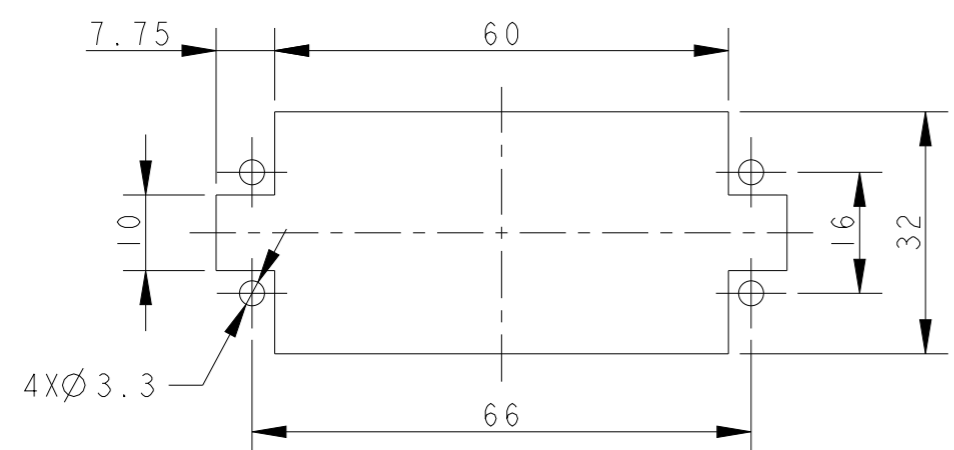
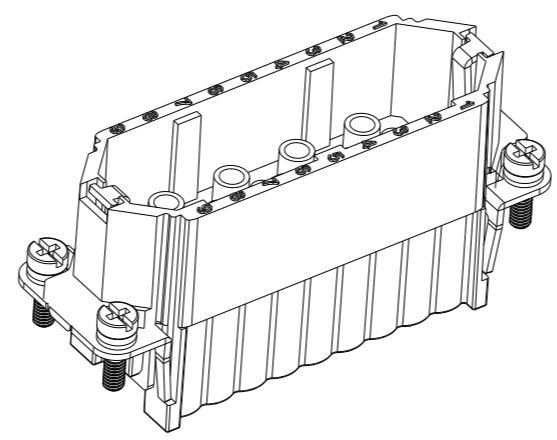
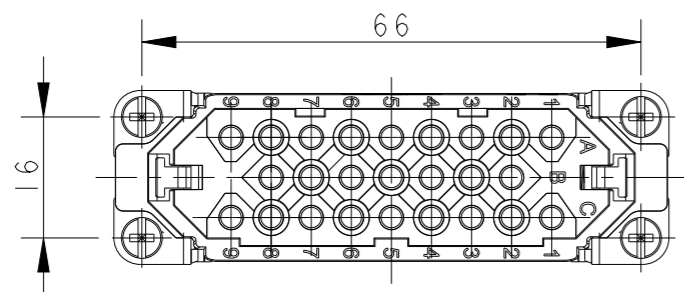
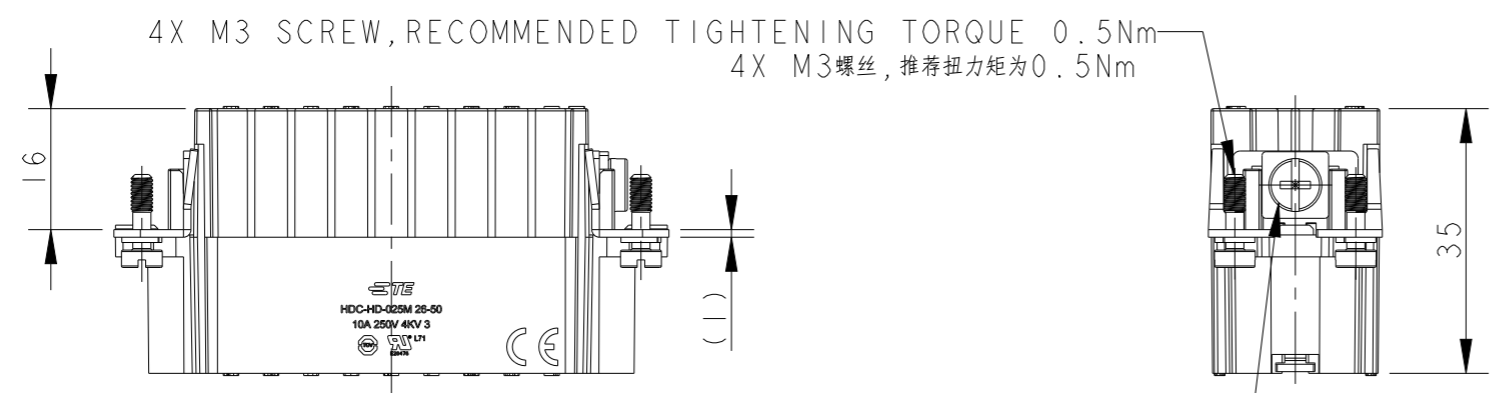
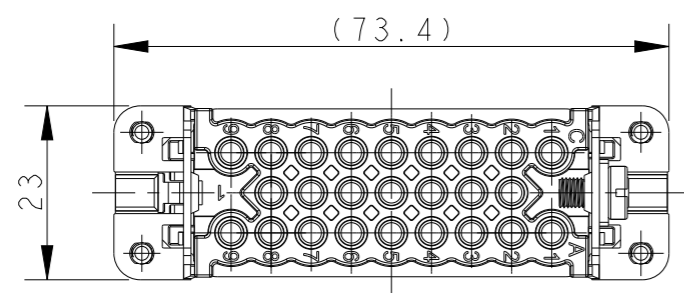


THIS DRAWING IS UNPUBLISHED. RELEASED FOR PUBLICATION 20  
 © COPYRIGHT 20 BY - ALL RIGHTS RESERVED.

REVISIONS

P	LTR	DESCRIPTION	DATE	DWN	APVD
	A	INITIAL RELEASE	29NOV2016	YC	CW
	B	ECR-21-105750	30JUN2021	BS	CW



PANEL CUT OUT DIMENSION FOR INSERT WITHOUT HOODS/HOUSING, ONLY FOR REFERENCE  
 不使用防护外壳时芯件的开孔安装尺寸, 仅供参考

- NOTES:
- TECHNICAL CHARACTERISTICS:  
 INSULATION MATERIAL: PC  
 RATED VOLTAGE: 250 V  
 RATED CURRENT: 10 A  
 INSULATION RESISTANCE:  $\geq 400M\Omega$   
 RATED IMPULSE VOLTAGE: 4 KV  
 POLLUTION DEGREE: 3  
 FLAMMABILITY: UL94V-0  
 MATING CYCLES: 500 CYCLES  
 WIRE RANGE: 0.14-2.5 mm<sup>2</sup> (26-14 AWG)  
 CONTACT TYPE: CRIMP CONTACT
  - CONTACT NEED TO BE ORDERED SEPARATELY.  
 (ORDER No. REFER TO DRAWING: T20200X10XX000)

- 注释:
- 技术参数:  
 绝缘材料: PC  
 额定电压: 250V  
 额定电流: 10A  
 绝缘电阻:  $\geq 400M\Omega$   
 额定脉冲电压: 4 KV  
 污染等级: 3  
 阻燃等级: UL94V-0  
 插拔次数: 500次  
 接线范围: 0.14-2.5 mm<sup>2</sup> (26-14 AWG)  
 接线类型: 冷压接
  - 端子需要单独订购.  
 (订货号参考图面: T20200X10XX000)

T2020502101-000	HD-025-M 26-50	HD-025 MALE INSERT 26-50 HD-025 公插 26-50
PART NUMBER 料号	PART DESCRIPTION 描述	

THIS DRAWING IS A CONTROLLED DOCUMENT.

DIMENSIONS: mm	TOLERANCES UNLESS OTHERWISE SPECIFIED:
	0 PLC ± 1 PLC ± 2 PLC ± 3 PLC ± 4 PLC ± ANGLES ±
MATERIAL	FINISH
-	-

DWN YORK CHEN 29NOV2016	TE Connectivity NAME HD-025-M 26-50				
CHK KYLE ZENG 29NOV2016					
APVD CHRIS WANG 29NOV2016					
PRODUCT SPEC 108-137042					
APPLICATION SPEC 114-137042	SIZE A3	CAGE CODE 00779	DRAWING NO T2020502101000	RESTRICTED TO	
CUSTOMER DRAWING	WEIGHT -	SCALE 1:1	SHEET 1	OF 1	REV B