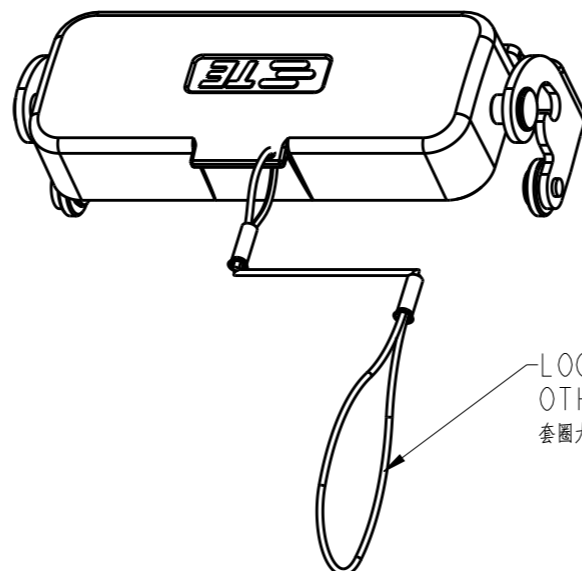
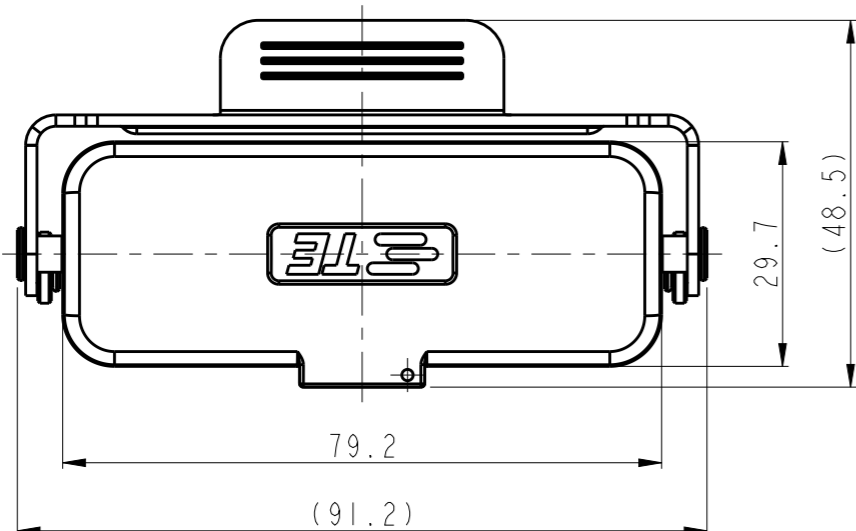


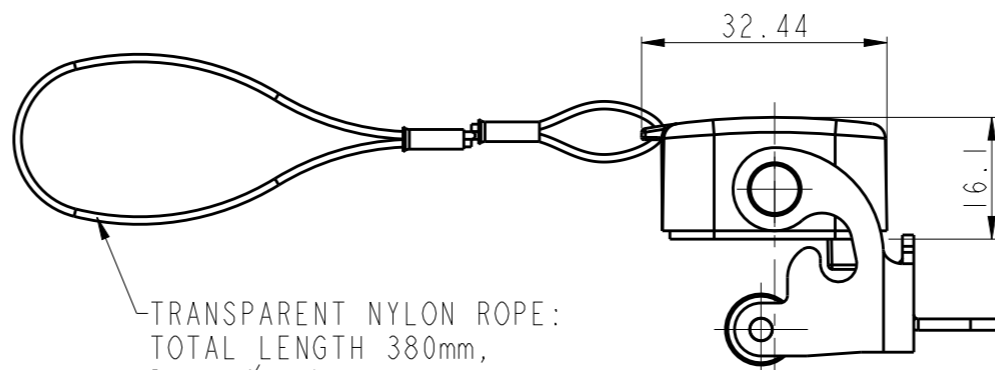
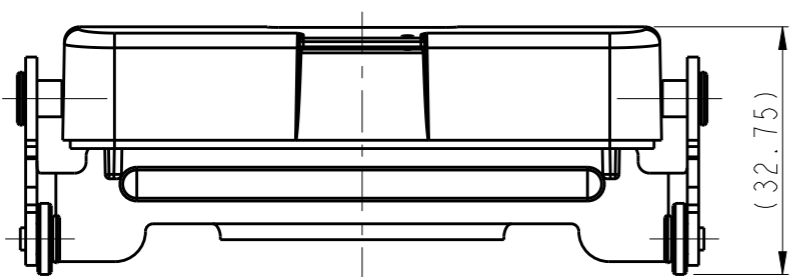
THIS DRAWING IS UNPUBLISHED. RELEASED FOR PUBLICATION 20
 © COPYRIGHT 20 BY - ALL RIGHTS RESERVED.

REVISIONS

P	LTR	DESCRIPTION	DATE	DWN	APVD
	A	INITIAL	23OCT2016	CH	CW
	A1	ECR-17-007543	31MAY2017	CH	CW
	A2	ECR-19-018119	28NOV2019	CH	CW



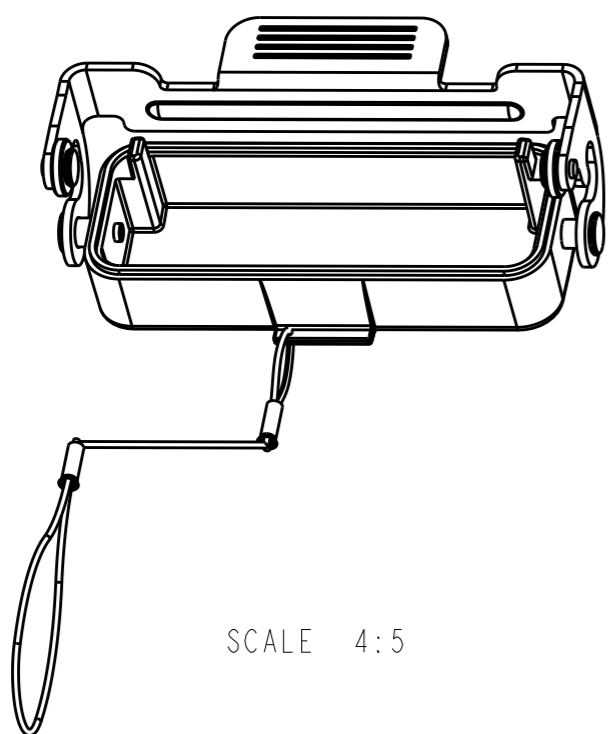
LOOP SIZE DEFAULT VALUE DIA. \varnothing 28.5,
 OTHERWISE HAVE SPECIAL REQUIREMENT,
 套圈大小默认值直径是 \varnothing 28.5, 除非有特别需求



TRANSPARENT NYLON ROPE:
 TOTAL LENGTH 380mm,
 DIA. \varnothing 1.0mm
 透明尼龙绳: 总长380mm, 直径 \varnothing 1.0mm


NOTES:
 1. TECHNICAL CHARACTERISTICS:
 HOOD MATERIAL: DIE CAST ALUMINIUM
 HOOD SURFACE: POWDER COATED, GREY
 DEGREE OF PROTECTION: IP65 (MATED)

注释:
 1. 技术参数:
 壳体材料: 铝合金
 壳体表面处理: 灰色粉末喷涂
 防护等级: IP65(配合)



T1019161201-001	H16A-KDTMS	H16A HOOD METAL PROTECTION COVER, STAINLESS STEEL SINGLE LOCKING, WITHOUT SEALING, NYLON ROPE, GREY H16A上壳金属保护盖, 不锈钢单扣, 不带密封, 尼龙绳, 灰色
-----------------	------------	--

PART NUMBER 料号	PART DESCRIPTION 描述
-------------------	------------------------

THIS DRAWING IS A CONTROLLED DOCUMENT.		DWN 23OCT2016 CHARLIE.HU	 TE Connectivity NAME H16A-KDTMS
DIMENSIONS: mm		CHK 23OCT2016 KYLE.ZENG	
TOLERANCES UNLESS OTHERWISE SPECIFIED:		APVD 23OCT2016 CHRIS.WANG	
0 PLC \pm - 1 PLC \pm - 2 PLC \pm - 3 PLC \pm - 4 PLC \pm - ANGLES \pm -		PRODUCT SPEC -	
MATERIAL	FINISH	WEIGHT	APPLICATION SPEC -
-	-	-	SIZE A3
CUSTOMER DRAWING		SCALE 1:1	CAGE CODE -
		DRAWING NO. T1019161201001	RESTRICTED TO
		SHEET 1 OF 1	REV A2